

Important Notes:

EF-S and EF type lenses can often be larger and heavier than a native EF-M mount lens. Because the EF-M mount is smaller it is important to support your entire rig by the lens rather than just by the camera. In other words, do not mount a large, heavy lens to your EF-M camera and hold all the weight by the camera alone. Doing so could damage the mounts on the camera, adapter, or lens.

One Year Unconditional Warranty

If for any reason, this ProMaster product fails within ONE YEAR of the date of purchase, return this product to your ProMaster dealer and it will be exchanged for you at no charge. ProMaster products are guaranteed for ONE FULL YEAR against defects in workmanship and materials. If, at any time after one year, your ProMaster product fails under normal use, we invite you to return it to ProMaster for evaluation.

Code 4625

Made in China

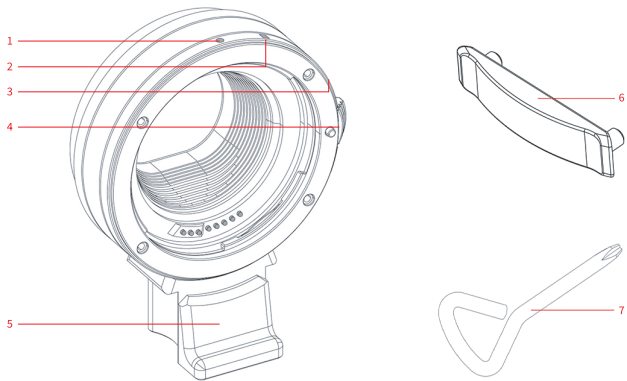
WWW.PROMASTER.COM | FAIRFIELD, CT 06825



[AF Lens Adapter]

for Canon EF/EF-S to EF-M





Parts Diagram

- | | |
|--------------------------------------|-------------------------|
| 1. EF Lens Indicator Mark (round) | 4. Lens Release Button |
| 2. EF-S Lens Indicator Mark (square) | 5. Dovetail Tripod Foot |
| 3. Camera Mount Indicator Mark | 6. Dust cover |
| | 7. Tool |

Attaching and Removing the Adapter and Lenses

Always be sure your camera is turned OFF before mounting or removing your adapter or lens.

The 4625 AF Lens Adapter attaches to your camera in the same manner as your lens. Match the Camera Mount Indicator Mark (3) on the adapter to the indicator mark on your camera and rotate until it locks.

Once you have the adapter mounted to your camera, mount the lens to the adapter in the same manner while using the indicator marks as guides. For an EF-S type lens, use the EF-S Lens Indicator Mark (2) which is a square shape on the lens adapter. For an EF lens use the EF Lens Indicator Mark (1) which is a round shape.

Use the Lens Release Button (4) on the adapter to dismount the lens in the same way you would remove it from your camera. Once the lens is removed use the release button on your camera to dismount the adapter.

Mounting to a Tripod

Upon opening the box, you found the Dovetail Tripod Foot (5) came pre-attached to the adapter. This is a multi-purpose foot. It is shaped to work with a common Dovetail (arca-type) quick release system. This type of quick release is found on most ProMaster tripods as well as many other brands. Additionally, a common $\frac{1}{4}$ "-20 threaded port is located in the bottom of the foot. You may alternatively use that mounting point as your tripod connection.

The Dovetail Tripod Foot (5) can be removed if you choose. Read about it in the next section.

Removing the Dovetail Tripod Foot

For your convenience, the Dovetail Tripod Foot (5) can be removed from the lens adapter. This may be done to streamline the adapter and reduce its weight.

Locate the Tool (7) and the Dust Cover (6) included with this product. Using the Tool (7) remove the two screws holding the foot to the adapter by turning them counterclockwise. Once the foot is removed, place the Dust Cover (6) over the exposed opening for protection. Store the Tool (7) and screws in a safe place for reinstallation later.